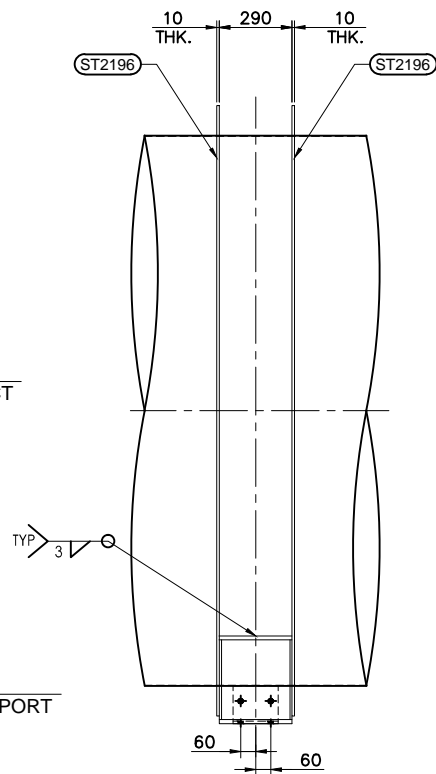
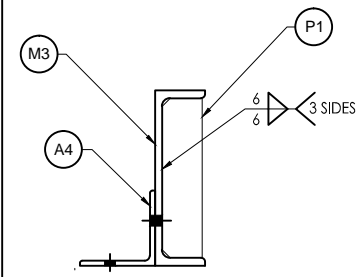


SECTION - SY4

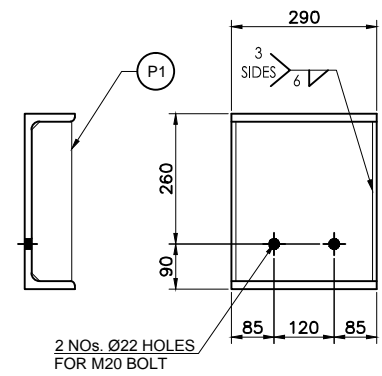
DETAILS OF FIXED SUPPORT FP4 FOR Ø 2190 DUCT



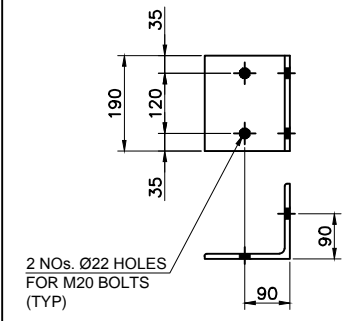
SECTION S1



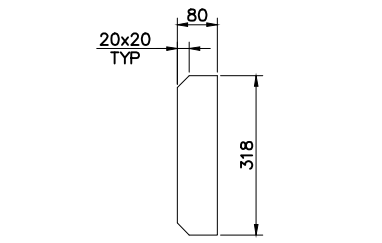
DETAIL A



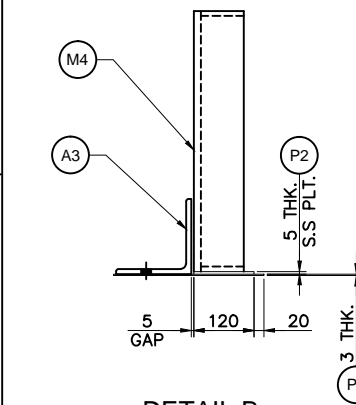
DETAIL OF ITEM - M3



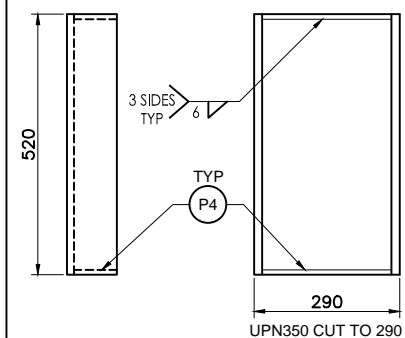
DETAIL OF ITEM - A4



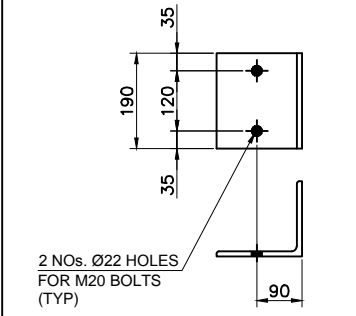
DETAIL OF ITEM - P1



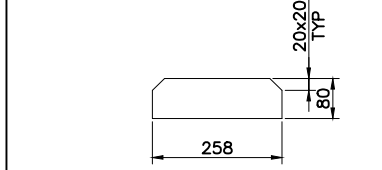
DETAIL B



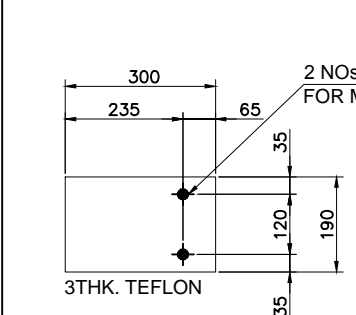
DETAIL OF ITEM - M4



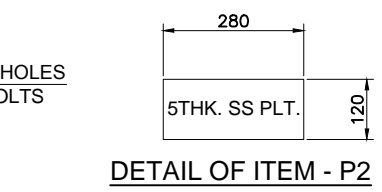
DETAIL OF ITEM - A3



DETAIL OF ITEM - P4



DETAIL OF ITEM - P3



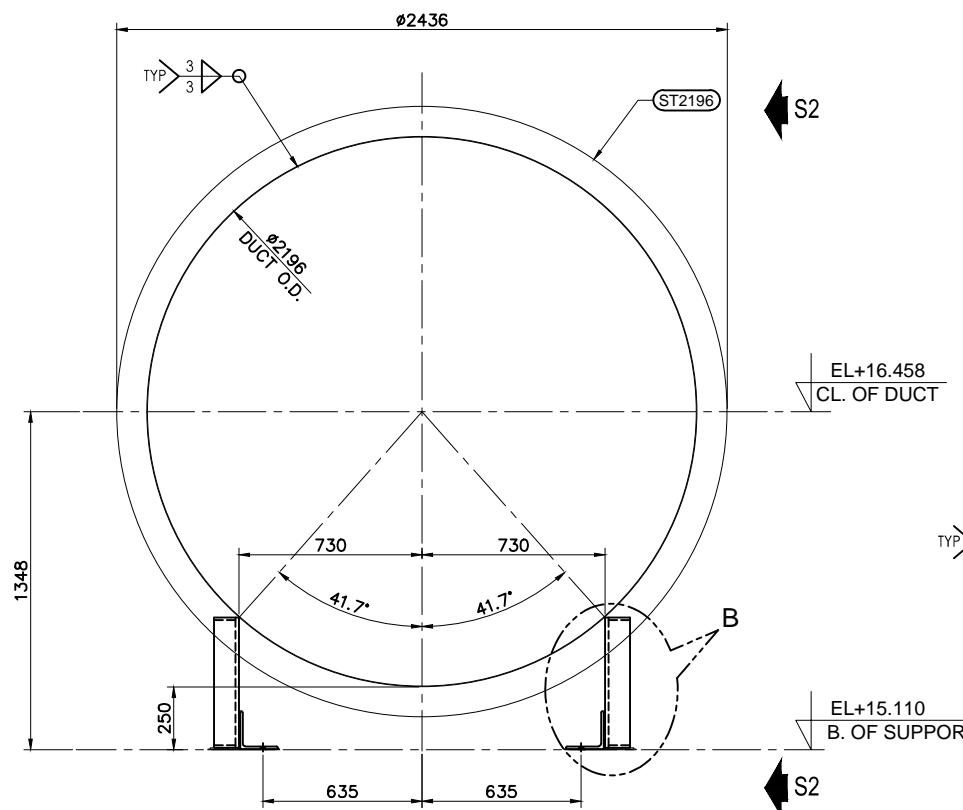
DETAIL OF ITEM - P2

REV.	DATE	DESCRIPTION
C	12-05-2012	REVISED AS MARKED
B	17-04-2012	ALSTOM COMMENTS INCORPORATED
A	31-03-2012	ISSUED FOR APPROVAL

Integrated Steel Construction Co. L.L.C.

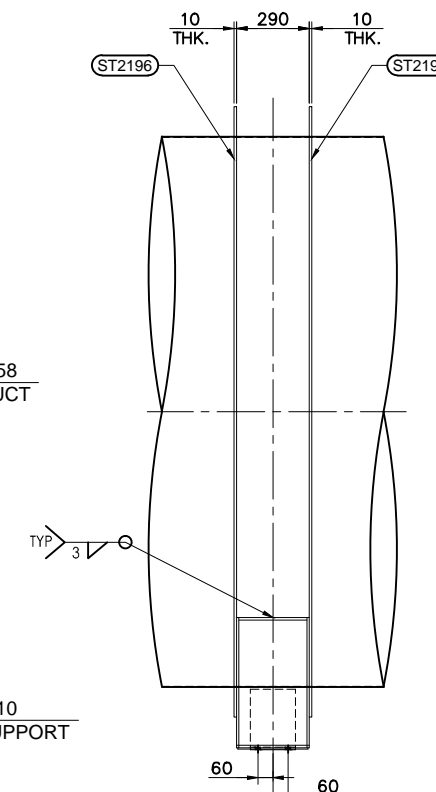
MATERIAL LIST						
ERECTION Mark	Mark	Size	Grade	Qty.	Length	Weight
ASSEMBLY MK'D FP4	ST2196	REF. DWG. # 9.9M-1349	S235 JR	2	RING STIFFENER	522.00
	M3	UPN350	S275 JR	2	290	36.00
	A4	L150x150x10	S275 JR	2	190	9.00
	P1	PL 10 THK. x 80	S235 JR	4	318	8.00
	TOTAL					

MATERIAL LIST						
ERECTION Mark	Mark	Size	Grade	Qty.	Length	Weight
ASSEMBLY MK'D SP15	ST2196	PL 10 THK. x 958	S235 JR	2	1723	522.00
	M4	UPN350 (CUT TO SUIT)	S275 JR	2	520	64.00
	A3	L150x150x10	S275 JR	2	190	9.00
	P2	PL 5 THK. x 120	SS	2	280	3.00
	P3	PL 3 THK. x 190	TEFLON	2	300	—
	P4	PL 10 THK. x 80	S235 JR	4	258	7.00
TOTAL						605.00 KG.

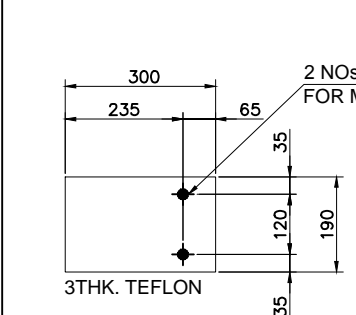


SECTION - SX15

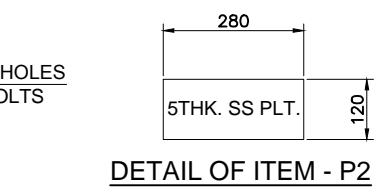
DETAILS OF SLIDING SUPPORT SP15 FOR Ø 2190 DUCT



SECTION S2



DETAIL OF ITEM - P3



DETAIL OF ITEM - P2

REV.	DATE	DESCRIPTION
C	12-05-2012	REVISED AS MARKED
B	17-04-2012	ALSTOM COMMENTS INCORPORATED
A	31-03-2012	ISSUED FOR APPROVAL

Integrated Steel Construction Co. L.L.C.

02	12-05-12	REVISED AS MARKED	SCAD	SCAD	JLK
01	17-04-12	ISSUED FOR FABRICATION	SCAD	SCAD	JLK
REV.	DATE	DESCRIPTION	DRAWN	CHECKED	APPROVED

ALSTOM Power Environment
Environmental Control Systems

Competence Center, Aluminium

© This document is, unless otherwise agreed in writing, the property of ALSTOM Norway AS, and shall not be reproduced, copied, disclosed to any third party or used for any other purpose other than that for which it is supplied or disclosed.

EMAL PHASE II - GAS TREATMENT CENTRES (GTC)
DETAILS OF FIXED & SLIDING SUPPORT
(FP4 & SP15 FOR Ø2190 DUCT)

Date	Drawn by	Checked by	Approved	Assembly No.	Sub No.	Scale
17-04-2012	SCAD	SCAD	JLK	9.9M-1355	sub no	1:15
Drawing No.						Rev.
EE3-000567 - 9.9M-1356						02

Last Print Date: \$DATE\$ \$TIME\$ \$FILES\$